

ALTEK

OPTIONAL TRANSMITTER ENCLOSURES

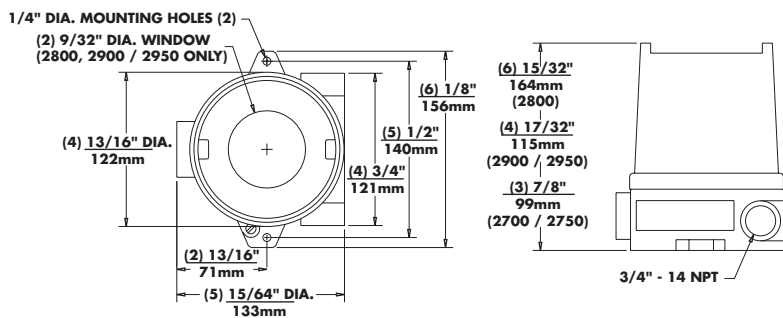
NEMA 4X Non-Metallic Enclosure Mounting Dimensions

DIN Rail Mounted

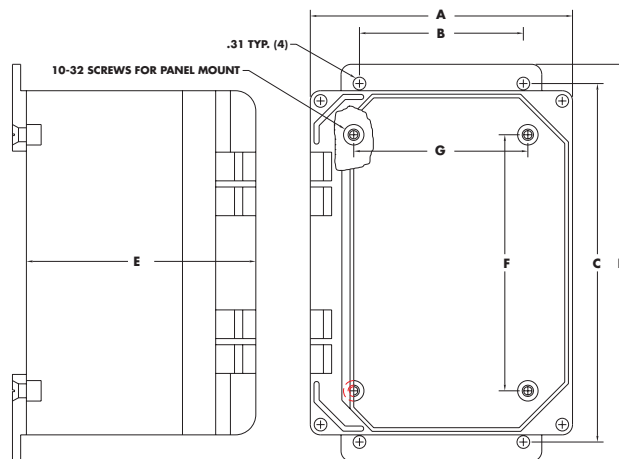
Capacity	Part No.	Dimensions		A		B		C		D		E		F		G	
		Inches	mm	Inches	mm	Inches	mm	Inches	mm	Inches	mm	Inches	mm	Inches	mm	Inches	mm
1	100669-718	6 x 4 x 4	152.4 x 101.6 x 101.6	4.40	111.76	2.00	50.8	6.75	171.45	7.69	195.33	4.79	121.67	4.88	123.95	2.88	73.15
4	100669-719	8 x 6 x 4	203.2 x 152.4 x 101.6	6.40	162.56	4.00	101.6	8.75	222.25	9.69	246.13	4.79	121.67	6.75	171.45	4.88	123.95
4	100669-720	8 x 8 x 4	203.2 x 203.2 x 101.6	8.40	213.36	6.00	152.4	8.75	222.25	9.69	246.13	4.79	121.67	6.75	171.45	6.88	174.75
10	100669-721	12 x 10 x 6	304.8 x 254 x 152.4	10.40	264.16	8.00	203.2	12.75	323.85	13.69	347.73	6.79	172.47	10.75	254.00	8.88	225.55

SnapTrack™ Mounted

Capacity	Part No.	Dimensions		A		B		C		D		E		F		G	
		Inches	mm	Inches	mm	Inches	mm	Inches	mm	Inches	mm	Inches	mm	Inches	mm	Inches	mm
1	100669-728	6 x 4 x 4	152.4 x 101.6 x 101.6	4.40	111.76	2.00	50.8	6.75	171.45	7.69	195.33	4.79	121.67	4.88	123.95	2.88	73.15
4	100669-729	8 x 6 x 4	203.2 x 152.4 x 101.6	6.40	162.56	4.00	101.6	8.75	222.25	9.69	246.13	4.79	121.67	6.75	171.45	4.88	123.95
4	100669-730	8 x 8 x 4	203.2 x 203.2 x 101.6	8.40	213.36	6.00	152.4	8.75	222.25	9.69	246.13	4.79	121.67	6.75	171.45	6.88	174.75
10	100669-731	12 x 10 x 6	304.8 x 254 x 152.4	10.40	264.16	8.00	203.2	12.75	323.85	13.69	347.73	6.79	172.47	10.75	254.00	8.88	225.55



Explosion - Proof Housing



**NEMA 4X Non-Metallic
Multiple Unit Enclosure**